

BUILT-IN GAS HOB

Installation and operation
instruction



kitchen technique

Kenya, Tanzania & Uganda

Installation is free of charge

Please contact us for your free installation

Self installation voids the warranty

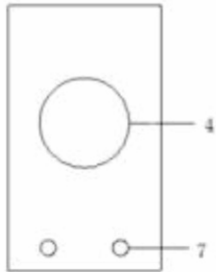
The manufacturer is not responsible for
any accidents arising from self installation

Contents

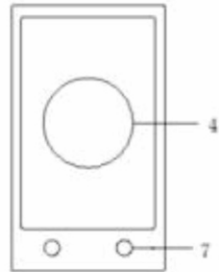
1. Close-up View.....	02
2. How to Use Your Gas hob.....	05
3. How to Keep Your Gas hob in Shape.....	05
4. Practical Advice.....	06
5. Is there a problem?.....	07
6. Installation Instructions for built-in.....	07
7. Table1 Burners and Nozzle Specifications	12
8. Table2 How to convert gas source.....	13
9. Table3 Adapting to different types of gas	14
10. Table4 Gas source and national comparison table.....	15
11. NOTICE.....	16

Congratulations on choosing this appliance, which you will find dependable and easy to use. We advise you to read this manual for best performance and to extend the life of your appliance. Thank you.

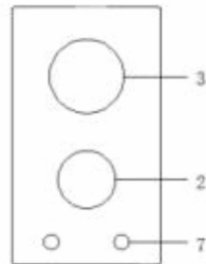
Close-up View



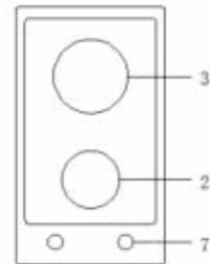
PM310STG



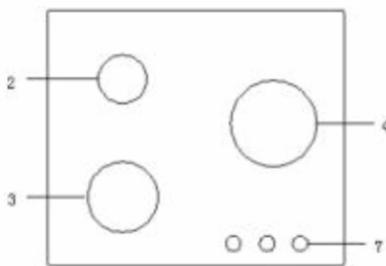
PM310STX



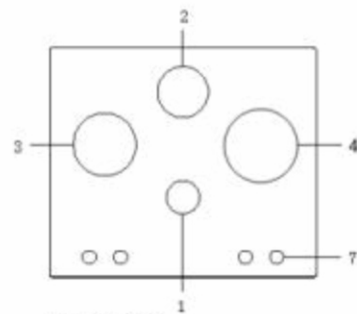
PM320SG



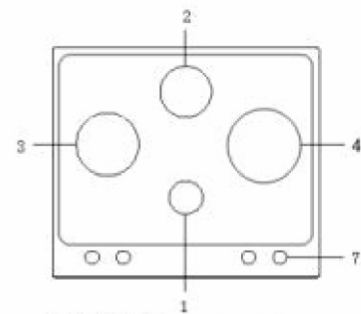
PM320SX



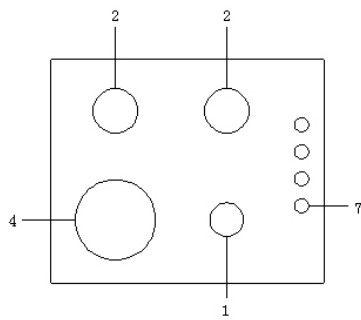
PM630STG



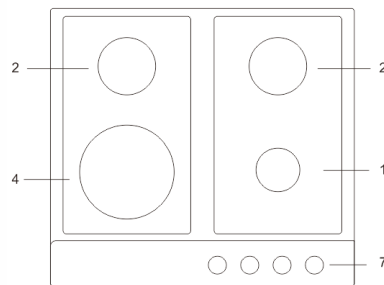
PM640STG



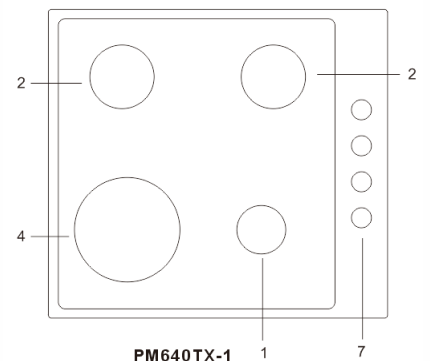
PM640STX / PM640TX



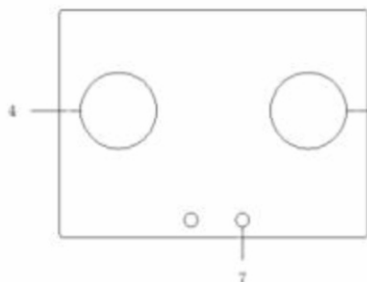
PM640TGB-1



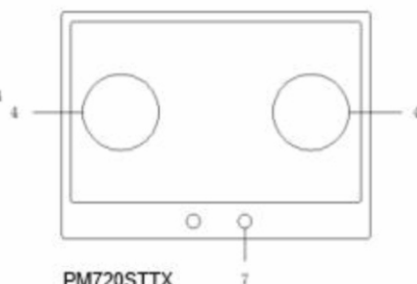
PM640STX-N



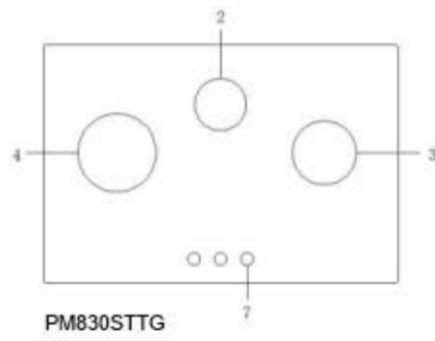
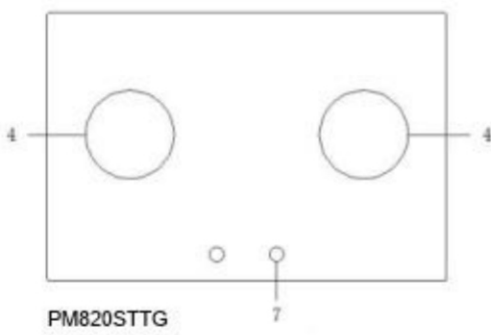
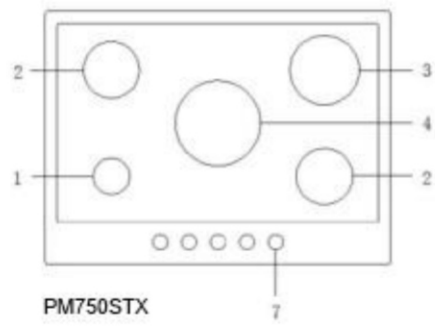
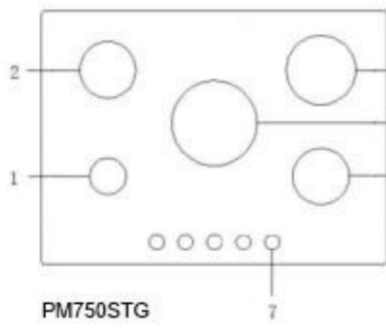
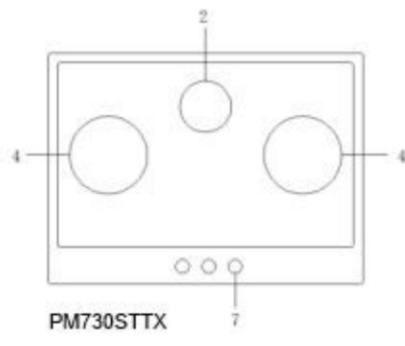
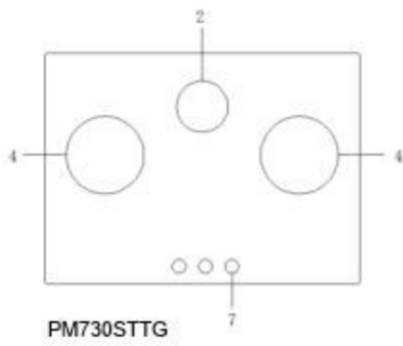
PM640TX-1

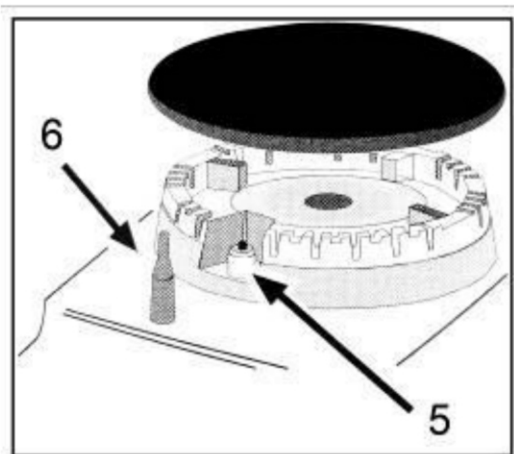
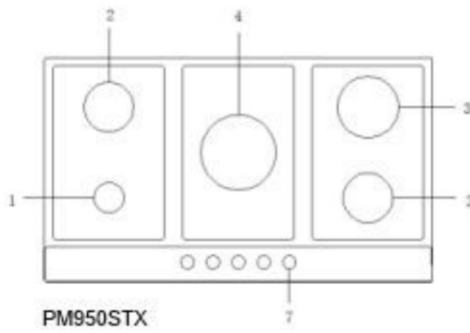
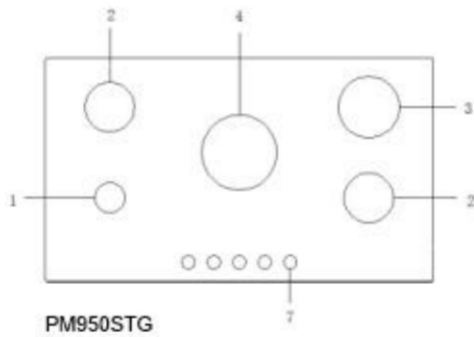
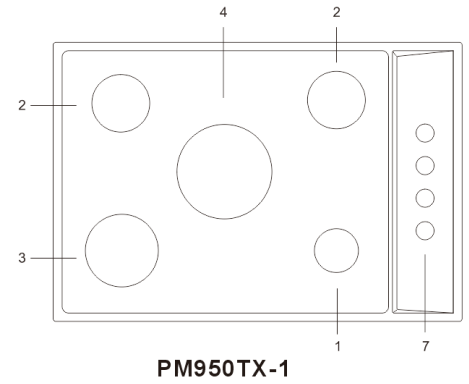
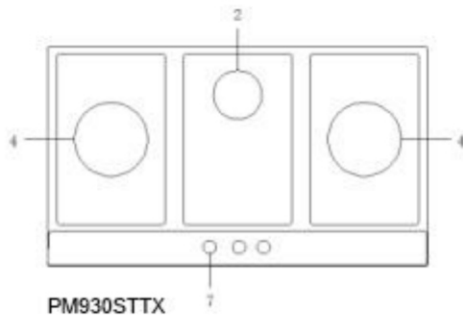
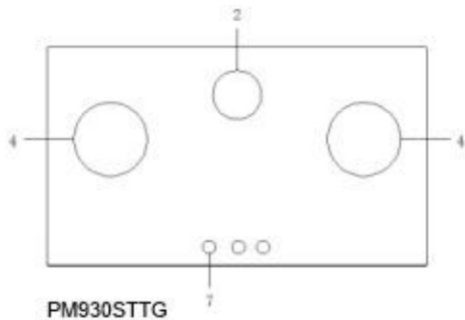


PM720STTG / PM720STTGB



PM720STTX





1. Auxiliary Burners
2. Semi-rapid burner
3. Rapid burner
4. Triple ring wok burner
5. Ignitor for Gas Burners
6. Safety Device (only on certain models) - Activates if the flame accidentally goes out (spills, drafts, etc.), interrupting the delivery of gas to the burner.
7. Control Knobs for Gas Burners and Electric Hot Plates

How to Use Your Gas hob

The position of the corresponding gas burner is indicated on each control knob.

Gas Burners

The burners are different in size and power. Choose the most appropriate one for the diameter of the cookware being used.

The burner can be regulated with the corresponding control knob by using one of the following settings:

 OFF


  HIGH

 LOW

On those models fitted with a safety device (F)

The knob must be pressed for about 6 seconds after the flame is lighted and warmed up.

On those models fitted with an ignitor (D)

The ignition switch is incorporated into the control knob. The  symbol is located near each knob.

To light a burner Simply press the corresponding knob and turn it in the counter-clockwise direction to the High setting, keep press until the burner is lighted.

Caution: If the flame goes out accidentally, turn off the gas with the control knob and try to light it again at least 1 minute later.

To turn off a burner Turn the knob in the clockwise direction until it is stopped (it should be on the "O" setting).

How to Keep Your Gas hob in Shape

Before cleaning or performing maintenance on your gas hob, disconnect it from the electrical power supply (except for battery powered).

To extend the life of the gas hob, it is indispensable that it is cleaned carefully, thoroughly and frequently, please keep in mind to the following:

- The enameled parts and the glass top, must be washed with warm water without using abrasive powders or corrosive substances that may cause irreparable damage.
- The removable parts of the burners should be washed frequently with warm water and soap, make sure to remove caked-on substances;
- Automatic ignitor pin, the end must be cleaned carefully and frequently to ensure normally operation.
- Stainless steel top plate and other steel parts can be stained if in contact with high concentration calcareous water or corrosive detergents (containing phosphorus). To extend the life, we advise these parts be rinsed thoroughly with water and wiped dry. It is a good idea to clean up any spills.
- After using a glass hob, the surface should be cleaned by a damp cloth to remove dust or food residue. Glass surface should be cleaned regularly with warm water and non-corrosive detergent. First, to remove all food residues or greases with a cleaning scraper, e.g.

CERA *Quercus*® (not supplied) (Fig. 1).

While the cooking surface is warm, clean it with a suitable cleaning product and paper towels, then rub with a damp cloth and dry surface. Items such as aluminum foil, plastic, objects made of synthetic material, sugar or foods with a high sugar content that have been melted onto the surface, must be removed immediately.

While the cooking surface is still hot, clean it with a scraper. Do not use abrasive sponges, cleaning products or chemically aggressive cleaners, like oven sprays and stain removers (Fig.2);

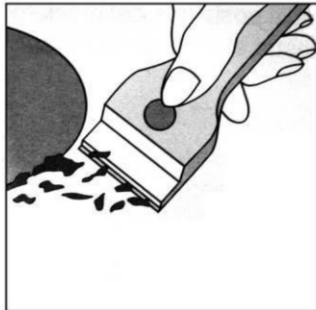


Fig.1



Fig.2

- Cleaning the grill/pan support, it is recommended to clean it while it is still hot. To move grill away from the hob and put it in sink, remove the food residues or grease first, after grill has cooled, rinse it with water.

Greasing the Gas Valves

Over time, the gas valves may become stiff to turn on/off. In this case, the inside of valve should be cleaned and greased.

N.B.: This procedure must be performed by a technician authorized by the manufacturer.

Practical Advice

Practical Advice on Using the Burners

For best performance, follow these general guidelines:

- Use the appropriate cookware for each burner (see table) in order to prevent the flame to reach the side of the pot or pan;
- Always use cookware with a flat bottom and keep the lid on;
- When the contents come to a boil, turn the knob to "Low".

Burner	Ø Cookware diameter (cm)
Auxiliary burner	10~14
Semi-rapid burner	12~20
Rapid burner	22~24
Triple ring wok burner	24~26

To identify the type of burner, refer to the designs in the section entitled, "Burner and Nozzle Specifications".

Is there a Problem?

If you find gas hob not working properly or all, let's check what we can do before call customer service for assistance.

First, check and confirm there is no interruption to the gas and electrical supplies.

The burner cannot be lighted or the flame is not uniform around the burner.

Check to make sure that:

- The gas holes on the burner are not clogged;
- All of the movable parts that make up the burner are fixed correctly;
- There is no draft around the cooking surface.

The flame extinguishes after ignition (appliance with thermocouple)

Check to make sure that:

- Press the knob all the way;
- After the flame is lighted, keep pressing the knob for another 6 seconds to activate the thermocouple.
- The gas holes are not clogged in the area corresponding to the thermocouple.

The flame go out while turn knob to "Low" setting.

Check to make sure that:

- The gas holes are not clogged.
- There is no draft around the cooking surface.
- The minimum setting has been adjusted correctly (see the section entitled "Minimum Regulation").

The cookware is not stable.

Check to make sure that:

- The bottom of the cookware is perfectly flat.
- The cookware is centered correctly on the burner..
- The support grids have not been inverted.

Having checked all of these, if the gas hob still does not work properly, please call the Customer Service Center and inform them of:

--The problem.

--The gas hob model number (Model....) as indicated on the packing carton or rating label.

Never use technicians who is not authorized and refuse to use the spare parts which are not original.

Installation Instructions for built-in

The following instructions are directed at the qualified installer, so the installation and maintenance procedures may be followed in the most professional and expert manner.

Important: Unplug the electrical connection before performing any maintenance or regular upkeep work.

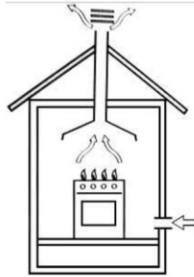
Positioning for gas hob

Important: this unit may be installed and used only in permanently ventilated rooms according to the British Standard Codes of Practice: B.S. 6172 / B.S. 5440, Par. 2 and B.S. 6891 Current Editions.

The following requirements must be observed:

- a) The room must be fitted with a ventilation system which ventilate smoke and gases from combustion to the outside of rooms.

This must be done by hood or electric ventilator.



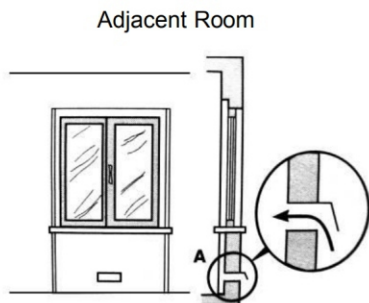
In a chimney stack or branched flue.
(exclusively for cooking appliances)



Directly to the Outside

- b) The room must allow for the influx of the air which for proper combustion. The air flow for combustion purposes must not less than 2 m³/h per kW of installed capacity. The air supply will be effected by influx from the outside through a duct, its inner cross section is at least 100cm² and must not be blocked accidentally.

For a gas hob without safety devices must have a ventilation working on twice volume For example, a minimum of 200 cm² (Fig. 3). Otherwise, the room can be vented indirectly through adjacent rooms which is fitted with ventilation ducts to the outside(Fig. 4).



Examples of ventilation holes for comburent air.

Fig.3



Enlarging the ventilation slot between window and floor

Fig.4

- c) Intensive and prolonged working of the gas hob requires ventilation to be intensified, e.g. opening windows or increasing the power of the air intake system (if present).

- d) Liquefied petroleum gas is heavier than air, so it settles downwards. Rooms in which LPG tanks are installed must be fitted with ventilation to the outside in case of gas leakage.

Therefore, LPG tanks which are empty or partially full, must not be installed or stored in rooms or spaces below ground level (cellars etc.). It is a good idea to keep only the tank which is working currently in the room, and make sure that it is not close to heating source (ovens, fireplaces, stoves, etc.).

- e) The appliance shall be installed in accordance to regulation in force.

Installation of built-in gas hob

The gas hobs are designed with protection degree against excessive heating, the appliance can be installed next to cabinets, and the height should not exceed the hob.

For correct installation, the following precautions must be followed:

- a) The hob may be installed in a kitchen, a diner or bed/ sitting room, but not in a bathroom or shower room.

- b) The furniture standing near to the unit, if it is higher than the working boards, must be placed at least 110mm distance to the edge of the board.
- c) The cabinets should be positioned near to the hood at a height of 600 mm at least (Fig. 5).

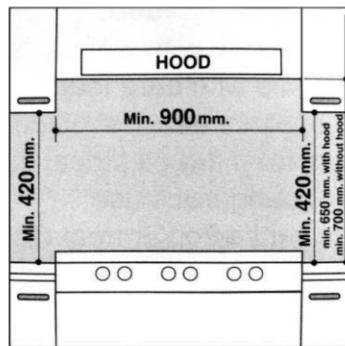


Fig.5

- d) Should the hob be installed directly under a cupboard, the latter should be at least 700mm from the worktop, as shown in Fig. C.
- e) Fixing fittings (hooks, screws) are provided to place the hob on work top, measure 20 to 40 mm in thickness (see Fig. 6).

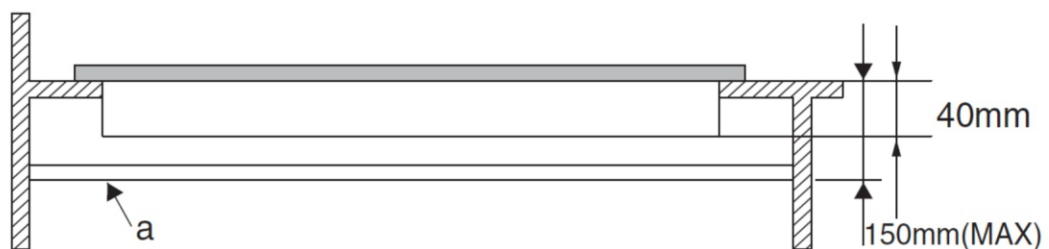
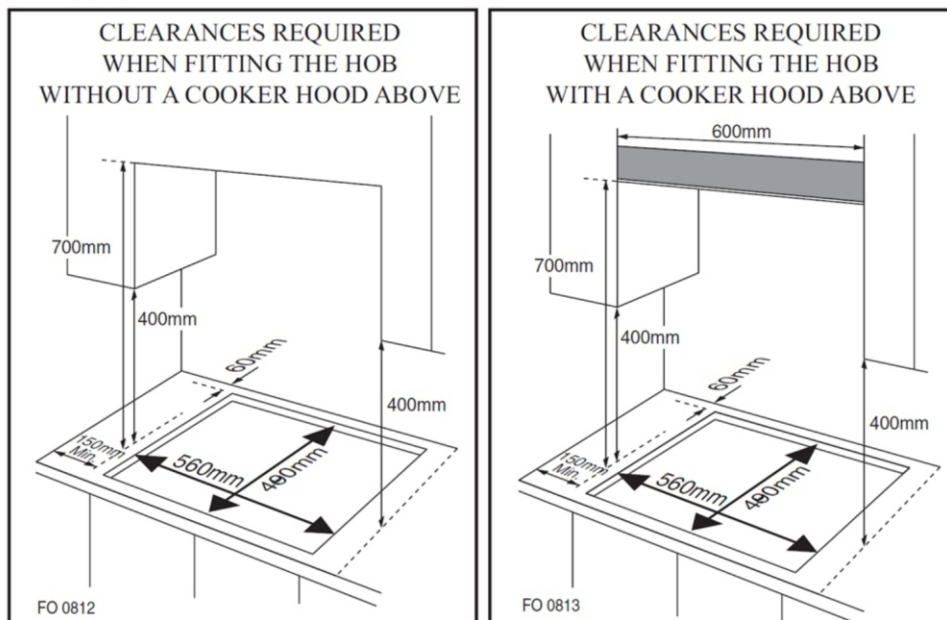
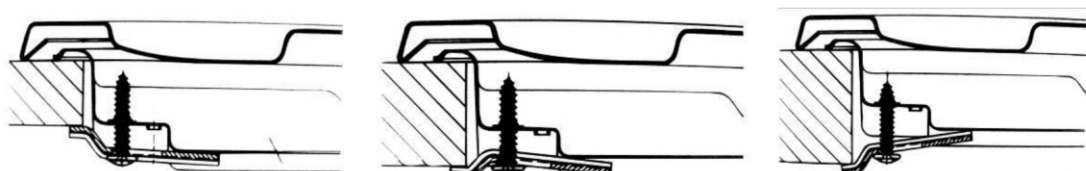


Fig.6



Hook position for
H=30mm top

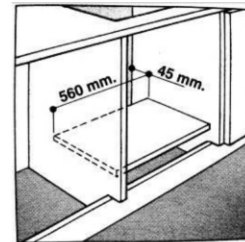
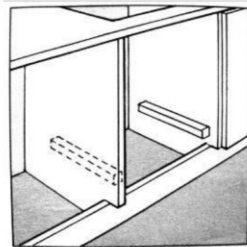
Hook position for
H=40mm top

Hook position for
H=20mm top

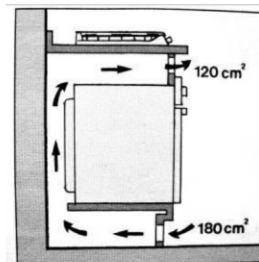
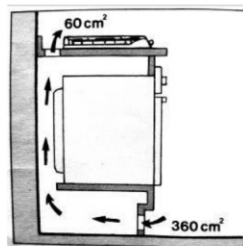
N.B: Use the hooks contained in the "accessories bag"

f) In the event the gas hob is not installed on a built-in oven, a wooden panel must be inserted for insulation. This panel must be placed at least 20 mm distance from the bottom of hob.

Important: When installing the hob on a built-in oven, the oven should be placed on two wooden strips; in the case of a joining cabinet surface, remember to leave a space of 45 x 560 mm at least from the back side..



When install hob on a built-in oven without forced ventilation, ensure that have air inlets and outlets to ventilate the interior of the cabinet adequately.



Gas connection for gas hob

The gas hob should be connected to the gas-supply by a registered installer. During installation it is essential to fit an approved gas tap to isolate the supply from the hob for the convenience of any subsequent removal or servicing. Connecting the hob to the gas mains or liquid gas must be carried out according to the prescribed regulation in force, and only after it is ascertained that it correct type of gas to be used. If not, follow the instructions indicated in the paragraph headed "Adaptation to different gas types". In the case of connection to liquid gas by tank, use pressure regulators that conform to the regulation in force.

Important: For safety, conformation to regulation & durability of the hob, ensure that the gas pressure conforms to the indications given in table 1 "Burners and Nozzle Specifications".

Connection to non-flexible tube

(copper or steel)

Connection to the gas source must be done in such a way as to not create any stress points at any part of the gas hob.

The hob is fitted with an adjustable "L" shape connector and a gasket to the gas supply.

The connector should be dismantled and the gasket must be replaced.

The feeding connector of the gas to the hob is threaded 1/2 gas cylinder.

Connection to flexible steel tube

The gas feed connector to the hob is threaded, 1/2" connector for round gas pipe. Only use pipes and

sealing gaskets that conform to the standards currently in force. The maximum length of the flexible pipes must not exceed 2000 mm. Once the connection has been made, ensure that the flexible metal tube does not touch any moving parts and not be crushed.

Check the Seal

Once the hob was installed, make sure all the connections are properly sealed, use a soapy water to test, never use flame.

Electrical Connection

The hob fitted with a tripolar electrical supply cord which are designed to use alternating current. According to the indications on the rating plate located under the hob. The earthing wire can be identified by its yellow-green colour.

In the case of installation over a built-in electric oven, the electrical connections for the hob and oven should be independent, not only for safety reasons but also convenient removal in the future.

Electrical Connection for Gas hob


Fit the supply cord with a standard plug for the demand rate indicated on the rating label or connect it directly to the electrical mains. In the latter case, a single pole switch must be placed between the hob and the mains, with a minimum opening between the contacts of 3 mm in compliance with current safety codes (the earthing wire must not be interrupted by the switch). The power supply cord must be positioned so that it does not reach a temperature in excess of 50°C higher than room temperature at any point.

Before actual connection make sure that:

- The fuse and electrical system can withstand the load required by the hob;
- The electrical supply system is equipped with an efficient earth hook-up according to the norms and regulations prescribed by law;
- The plug or switch are easily accessible.

Important: the wires in the main lead are coloured in accordance with the following code:

Green & Yellow	- Earth
Blue	- Neutral
Brown	- Live

As the colours of the wires in the main lead may not correspond with the coloured markings identifying the terminals in your plug, proceed as follows: Connect the Green & Yellow wire to terminal marked "E" or  or coloured Green or Green & Yellow.

Connect the Brown wire to the terminal marked "L" or coloured Red.

Connect the Blue wire to the terminal marked "N" or coloured Black.

TABLE1: Burners and Nozzle Specifications

Adapting the Gas Hob for Different Types of Gas

Burner	G20/G25		G25.1		G27		G2.350		G30			G31		G110		
	Thermal Power (kW)	Nozzle 1/100 (mm)	Thermal Power (kW)	Nozzle 1/100 (mm)	Thermal Power (kW)	Nozzle 1/100 (mm)	Thermal Power (kW)	Nozzle 1/100 (mm)	Thermal Power (kW)	Nozzle 1/100 (mm)			Thermal Power (kW)	Nozzle 1/100 (mm)	Thermal Power (kW)	Nozzle 1/100 (mm)
Auxiliary (small) (A)	1.0	71	1.0	75	1.0	79	1.0	98	1.0	52	47	45	1.0	52	-	-
Semi rapid (Medium)	1.8	97	1.8	105	1.8	106	1.8	125	1.8	67	64	59	1.8	67	1.8	180
Rapid (R)	2.4	110	2.4	118	2.4	120	2.4	138	2.4	77	72	67	2.4	77	-	-
Triple Ring (TR)	3.3	125	3.3	142	3.3	143	3.3	185	3.3	93	88	82	3.3	93	3.0	270
Supply pressures	20mbar		25mbar		20mbar		13mbar			30 mbar	37 mbar	50 mbar	37mbar		10mbar	

At 15°C and 1013 mbar - dry gas

P.C.I.G20 37.78 MJ/m³

P.C.I.G25 32.49 MJ/m³

P.C.I.G2.350 27.20MJ/ m³

P.C.I.G25.1 32.51 MJ/m³

P.C.I.G27 30.98 MJ/m³

P.C.I.G30 49.47MJ/Kg



Replacement of burner nozzle: loosen the nozzle with a dedicated wrench (7). Fit the new nozzle according to the required gas type (see table 1 for reference).

After you have converted the gas hob to another gas type, make sure you have placed a label containing that information on the appliance.

TABLE2: How to Convert Gas Source

Adjustment of the reduced valve flow

Burners	Flame	Converting the hob from LPG to Town gas	Converting the hob from Town gas to LPG
Regular burners	Full flame	Replace the burner nozzle according To the guidelines in table 1	Replace the burner nozzle according to the guidelines in table 1
	Minimum flame	Loosen the adjustment Spindle (see fig.7 below) And adjust the flame	Loosen the adjustment Spindle (see fig.7 below) And adjust the flame

Valve adjustment

Valve adjustment should be done with the control knob set at Burner ON minimum flame position. Remove the knob, and adjust the flame with a tiny screwdriver (see fig.7 below).

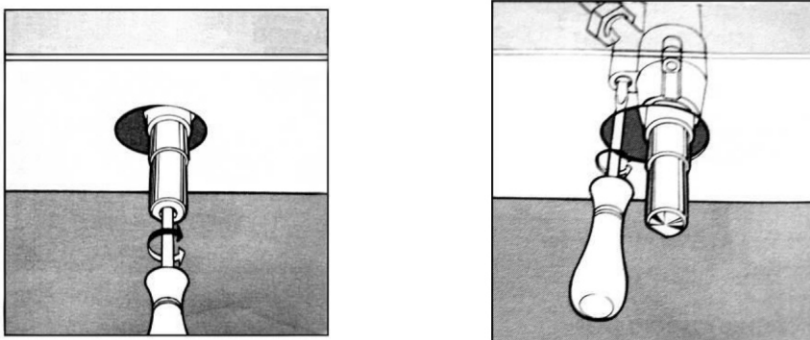
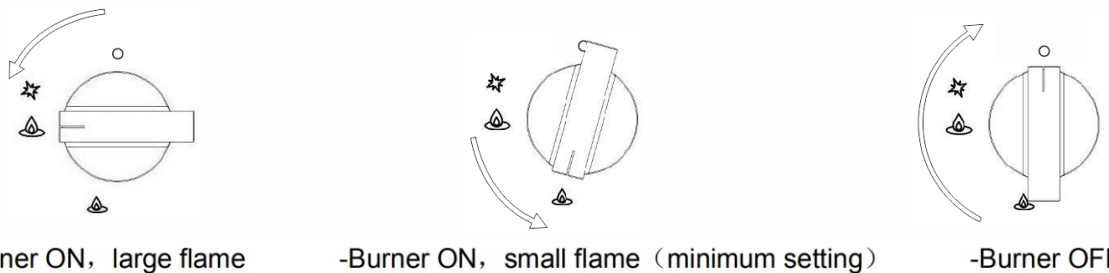


Fig.7

To check the adjusted flame: heat the burner at full open position for 10 minutes. Then turn the knob into the minimum flame setting. The flame should not extinguish or cause a back flash. If it extinguishes, readjust the valves.

Flame selection

If the burners are adjusted correctly, the flame should be light blue, and the inner flame should be clear. The size of flame depends on the position of the related control knob.



-Burner ON, large flame

-Burner ON, small flame (minimum setting)

-Burner OFF

Fig.8

See fig.8 for various operating options (flame size selection); the burner should be set at a large flame during the initial phase of cooking to bring to boil quickly. Then turn knob to the minimum setting for simmering. Flame adjustment is stepless.

Do not adjust the flame between the Burner OFF and Burner ON large flame positions.

Energy can be conserved if the hob is used correctly with appropriate cookware. The energy conservation is as follows:

- Up to 60% are conserved when proper pots are used,
- Up to 60% are conserved when the unit is operated correctly with suitable flame size selection.

It is a prerequisite for efficient operation of hob that the burners are kept clean (in particular the flame slots and nozzles).

TABLE 3: Adapting to different types of gas

APPLIANCE CATEGORY: I_{2H} I_{2E} I_{2E+} I_{2L} I_{2HS} I_{2ELS} I_{2ELW} I₃₊ I_{3B/P} I_{3B/P} I_{3B/P} I_{3P} I_{2H3+} II_{2E3B/P} II_{2HS3B/P} II_{2ELWLS3B/P} II_{2ELL3B/P}

Burner	Type of Gas	Pressure	Nozzle diameter	Nominal Charge				Reduced Charge	
		mbar	1/100mm	g/h	l/h	kW	kcal/h	kW	kcal/h
Auxiliary	Natural G20	20	71	—	95	1.0	860	0.40	344
	Butane G30	30	52	72.6	—	1.0	860	0.40	344
		37	47	72.6	—	1.0	860	0.40	344
		50	45	72.6	—	1.0	860	0.40	344
Semi-rapid	Natural G20	20	97	—	171	1.8	1548	0.60	516
	Butane G30	30	67	130.8	—	1.8	1548	0.60	516
		37	64	130.8	—	1.8	1548	0.60	516
		50	59	130.8	—	1.8	1548	0.60	516
Rapid	Natural G20	20	110	—	228	2.4	2064	0.90	774
	Butane G30	30	77	174	—	2.4	2064	0.90	774
		37	73	174	—	2.4	2064	0.90	774
		50	67	174	—	2.4	2064	0.90	774
Triple-ring wok	Natural G20	20	125	—	323	3.3	2924	1.50	1290
	Butane G30	30	93	247	—	3.3	2924	1.50	1290
		37	88	247	—	3.3	2924	1.50	1290
		50	82	247	—	3.3	2924	1.50	1290

TABLE 4: Gas source and national comparison table

Gas group	Supply pressure	Country
I2H	G20 20mbar	AT, BG, CZ, DK, EE, FI, GR, HR, HU, IS, IE, IT, LV, LT, NO, PT, RO, SK, SI, ES, SE, CH, TR, GB
I2E	G20 20mbar	DE, LU
I2E+	G20/G25 at 20/25 mbar	BE, FR
I2L	G25 25mbar	NL
I2HS	G20/G25.1 25 mbar	HU
I2ELS	G20 20 mbar,G2.350 13 mbar	PL
I2ELW	G20/G27 20 mbar	PL
I3+	G30-G31 (28-30)-37 mbar	BE, CY, CZ, EE, FR, GR, IE, IT, LT, LU, LV, PT, RO, SK, ES, CH, GB
I3B/P	G30 30 mbar	BE, CY, CZ, DK, EE, FI, GR, HR, LV, LT, LU, MT, NL, NO, SK, SI, SE, TR
I3B/P	G30 37 mbar	PL
I3B/P	G30 50mbar	AT, DE, HU, CH
I3P	G31 37 mbar	CH,FR,GR,IE,ES,GB
I2H3+	G20 20MBAR, G30-G31(28-30)-37mbar	GR,IE,IT,PT,ES,GB,CH,CZ,SI,SK
II2E3B/P	G20 20mbar,g30 30mbar	RO
II2HS3B/P	G20/G25.1 25mbar, G30 30mbar	HU
II2ELWLS3B/P	G20/G27 20mbar, G2.350 13mbar,G30 37mbar	PL
II2ELL3B/P	G20 20mbar,G25 25mbar, G30 50mbar	DE

This hob conforms to the following European Economic Community directives:

- 73/23/EEC of 19/02/73 (Low Voltage) and subsequent modification;
- 89/336/EEC of 03/05/89 (Electromagnetic compatibility) and subsequent modifications;
- 90/396/EEC of 29/06/90 (Gas)and subsequent modifications;
- 93/68/EEC of 22/07/93 and subsequent modifications.

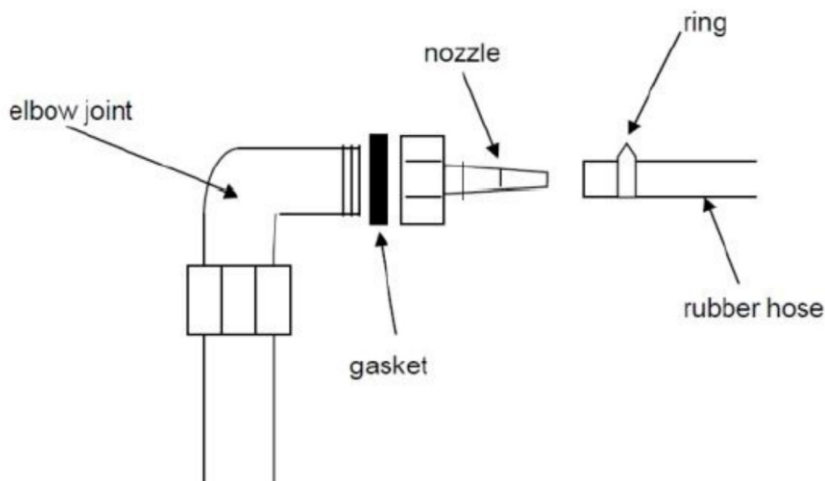
NOTICE:

- A. Prior to installation, ensure that the local distribution condition (nature of the gas pressure) and the adjustment of the appliance are compatible.
- B. The adjustment conditions for this appliance are stated on the rating label.
- C. This gas hob must not be connected to other combustion products evacuation device. It shall be installed and connected in accordance with current installation regulations. Particular attention shall be given to the relevant requirement regarding ventilation.
- D. CAUTION: The use of a gas hob lead to the production of heat, moisture and products of combustion in the room in which it is installed. Ensure that the kitchen is well ventilated especially when the hob is working: keep natural ventilation holes open or install a mechanical ventilation device.

SINGAPORE CONSUMER PROTECTION (SAFETY REQUIREMENTS) REGISTRATION SCHEME

Appendix R

INSTALLATION INSTRUCTIONS FOR FIXING GAS COOKER ELBOW JOINT



The gasket depicted above is to prevent gas leakage. After installation, turn on the gas supply and use soap solution (never use naked flame) to check for gas leakage.

www.newmatic.com

