

Please read the manual carefully before
operating the appliance

RANGE HOOD

kitchen technique

Newmatic

User's Manual

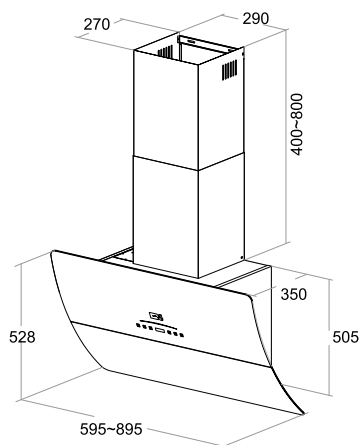
www.newmatic.com



Kenya, Tanzania, Uganda

Please contact us for your free installation.
Do not install the appliance by yourself, it is
dangerous & voids the warranty





H86.6S/H86.9S

Introduction	1
Features	2
Installation	2
Installation Procedure	4
How To Use	5
Remote Control	6
Lamp Change	7
Safety Information	8
Troubleshooting	9
Cleaning & Maintenance	10
Electrical Diagram	11
Specifications	11

1.1 This appliance has been manufactured with materials and processes that respect the environment. We hope that you will continue this important consideration in the operation of this appliance & the disposal of the packaging materials, thank you.

1.2 The installation work must be undertaken by a qualified technician experienced in cooker hood installation. Please connect the correct power rating.

1.3 The manufacturer disclaims all liability for any damage or injury caused as a result of not following the instructions for installation contained in the following text.

1.4 The appliance is not intended for use by young children or infirm persons without supervision.

1.5 Young children should be supervised to ensure that they do not play with the appliance.

1.6 The maximum number of hobs covered by range hood should not exceed 5 burners.

1.7 There is a fire risk if cleaning is not carried out in accordance with this instructions.

1.7 Any modifications to the appliance, electric wire and plug is dangerous & voids the warranty.

Features

2.1 This appliance is manufactured from top quality materials, and offers superb streamlined effects.

2.2 With high suction power and low noise, it is designed to remove cooking fumes from your kitchen quietly & effectively.

Installation

3.1 The range hood should be mounted at a distance of 350-450mm from the cooking surface for safety & optimum performance (If the instructions for installation of the gas hob specify a greater distance, this has to be taken into account.) (see pic1). That exhaust air must not be discharged into a flue which is used for exhausting fumes from other appliances burning gas or other fuels.

3.2 This item should be fitted by a competent person or fitter who should only use the right screw fixing where applies.

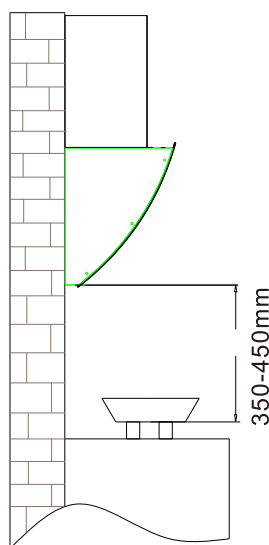
3.3 Ensure that the wall to be installed on is sufficiently sturdy to carry the weight of the hood. It should be mounted level for best performance.

3.4 Do not connect to a common vent with other appliance such as gas heater, water heater, laundry dryer etc.

3.5 The duct should not be bent more than 120° from the one way valve outlet to the kitchen vent.

3.6 Check to make sure that the electric chord is not in contact with sharp edges of the appliance.

3.7 Be sure that the plug is accessible after installation.



pic 1

4.1 To install, drill 2 holes of Ø8mm on a sturdy wall and in line with the hood(see pic2).

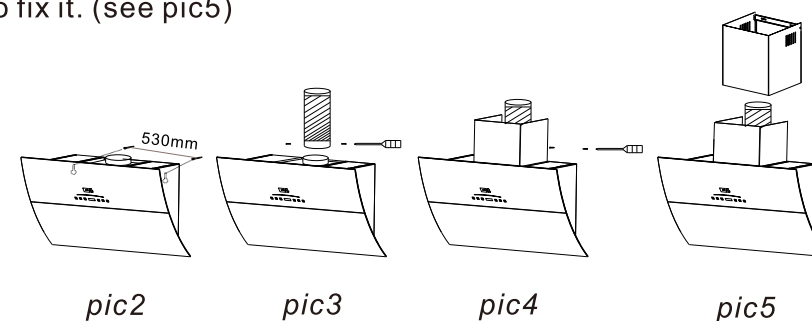
4.2 Insert expanded screws into the hole.

4.3 Fix drilling template on the wall.

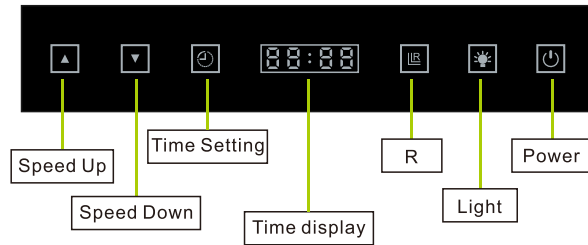
4.4 Attach the duct to the one way valve, and connect it to the kitchen outlet vent. (see pic3)

4.5 Insert the outer funnel (alternative part). Make sure it's firmed. (see pic4)

4.6 Mount the bracket and insert the inner funnel. Use screws to fix it. (see pic5)



3 Speed Touch Control Switch(see pic 6)



pic 6

■ Power Button

Turning On: Touch and hold the “Power” button for 0.5 seconds to power on the hood. All indicator lights will illuminate, the glass door will open to standby mode, and the mood light will activate.

Turning Off: Touch and hold the “Power” button again for 0.5 seconds to power off the hood. The electricity will be cut off, the glass door will close automatically, the motor will stop working, and all indicator lights and illumination will turn off.

■ Light Button

Use this button to switch the illumination on or off.

■ Remote Control Signal Reception ("R")

This function allows the device to receive signals from the remote control.

■ Time Setting

Touch and hold the “Time Setting” button to set the local time. Use the “Speed Up” and “Speed Down” buttons to adjust the time.

■ Speed Up


Touch the “Speed Up” button once to start the motor at the low speed. Touch it again to increase the speed, you can adjust the speed from low, mid, and high.


■ Speed Down


Touch the “Speed Down” button can reduce the motor speed until the motor stops working.


Remote Control (Optional)

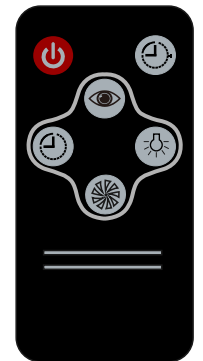
 **Power On/Off**  **Light On/Off**

 **Speed button**
While the unit is ON, press "Speed button" to select the desired speed.

 **Auto button**
For model H86, this button is only used to adjust the time while setting the local time.

 **Time Setting**
While the unit is OFF, press the “Time Setting” button and adjust the time with the “Speed” button and “Auto” button.

 **Timer**
Select the desired speed, then press "Timer" to set the delay time. Default time is 3 minutes. Press again to increase the delay time as necessary.
Unit will auto shut-off after the timer has ended.

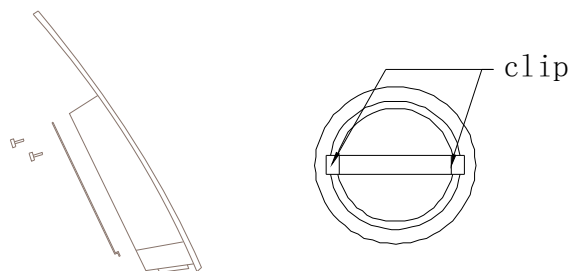


7.1 Turn off the power supply by unplugging from the wall socket.

7.2 From the rear of the lamp socket, detach the low-voltage electric connector.

7.3 Press the lamp's clip to take out the lamp holder (see pic 7).

7.4 Replace the lamp (LED Lamp Max. 1.5W) and then reinstall in the reverse manner..



pic 7

Warning: Failure to install the screws or fixing device in accordance with these instructions may result in electrical hazards.

- ◆ There must permanent & adequate ventilation of the room when operating the range hood with appliances burning gas or other fuels.
- ◆ Do not check the status of the filters when the range hood is operating, wait at least 30 minutes after switching off to avoid scalding.
- ◆ Avoid operating a gas cooker when there is no pan on the stove, it is a fire hazard and may cause damage to the hood filters.
- ◆ Disconnect the electrical plug prior to any maintenance.
- ◆ This appliance is not intended for use by young children and persons unless they have been adequately supervised by a responsible person to ensure that they can use the appliance safely.
- ◆ The range hood is for home use only and is not suitable for outdoor, barbecue, and other commercial applications.
- ◆ The range hood and its filter should be cleaned regularly for best performance. Excessive grease will impede airflow and may cause the motor to overheat.
- ◆ Before cleaning, please confirm that the power is switched off.
- ◆ For any technical issues ensure that a suitably qualified person effects any repairs or inspection.
- ◆ Do not flame under the range hood.
- ◆ CAUTION: Accessible parts may become hot when used with cooking appliances.
- ◆ If the supply cord is damaged, it must be replaced by the manufacturer, its service agent or similarly qualified persons in order to avoid a hazard.
- ◆ When the range hood and appliances supplied with energy other than electricity are simultaneously in operation, the negative pressure in the room must not exceed 4 Pa (4×10^{-5} bar).

If any problem occurs, please detach the plug from the socket and contact the manufacturer or its service agent or a similarly qualified person in order to avoid a hazard.

Problem	Cause	Solution
Light on, but motor does not work	The outlet valve is blocked	Detach flue and duct then turn on the hood to check if the valve opens
	The capacitor has failed	Call for technical service
	The control switch has failed	Call for technical service
Light does not work, motor does not work	No power supply	Plug another appliance into the socket to confirm there is power supply
	Fuse has blown	Open up the plug and replace the 13A fuse
Vibration	The propeller is damaged or unbalanced	Call for technical service
	The hood is not installed correctly	Review the installation instructions & check the installation again for loose screws, brackets or connections
Insufficient suction effect	The distance between the hood and the cooker is improper	Check that the distance is between 350mm to 450mm
	The filters are saturated	Clean the filters from grease residue and replace after drying.

Warning: Before cleaning, please ensure that the power is switched off by detaching the plug from the wall socket.

10.1 Clean the surface of hood every week with mild soap or detergent. Avoid solvents, acid, alkali, scouring pads or powders that could irreparably damage the stainless steel surface.

10.2 The grease filters may be washed using mild soap, detergent or degreasing agent.

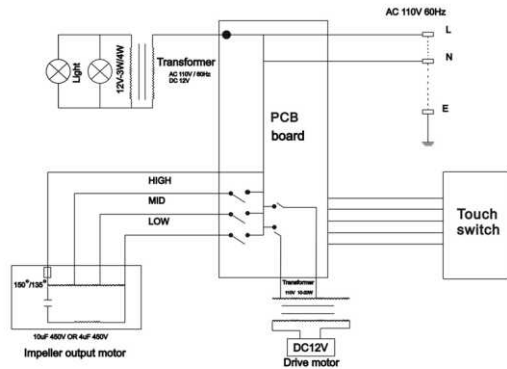
10.3 Charcoal filters cannot be cleaned and must be generally replaced after 6 months of use.

Electrical Diagram Specifications

kitchen technique

Newmatic

Electrical Diagram



Contact us if you need any assistance:



Singapore: +65 8883 8677

Kenya: + 254 7114 77711

Tanzania: + 255 7647 40972

Uganda: + 256 7597 36614

Specifications

Model No.	H86.6S/ H86.9S
Power Supply	220-240V, 50Hz
Rated Input Power	181W
Lighting Power	1.5W×2
Motor Power	178W
Airflow	760m ³ /h